

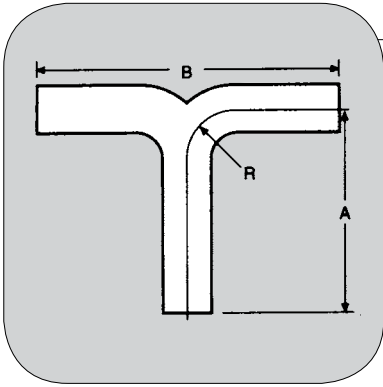


## Miscellaneous Fittings



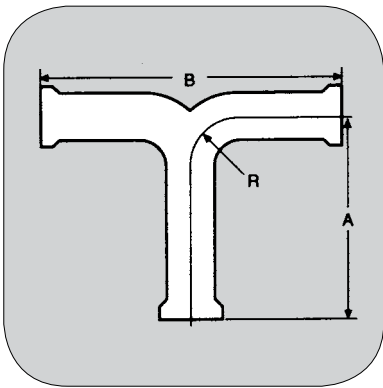
Stainless Steel Flow Control Equipment for the  
Food, Beverage, Dairy, Cosmetics, Biotechnology,  
Pharmaceutical and Electronics Processing Industries

LINE SPLITTER-WELD



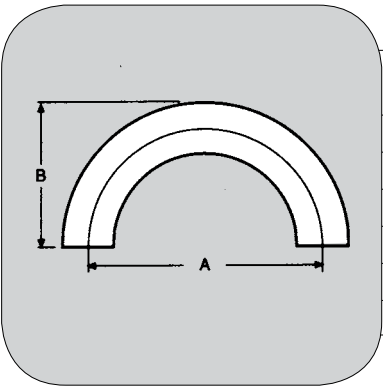
SIZE (TUBE O.D.)	A	B	R	STOCK NO.
1-1/2	2-9/16	6-1/2	2-1/4	35515
2	3-3/8	8	3	35520
2-1/2	5-3/8	10-3/4	3-3/4	35525
3	6	12	4-1/2	35530
4	8	16	5-1/4	35540

LINE SPLITTER-CLAMP



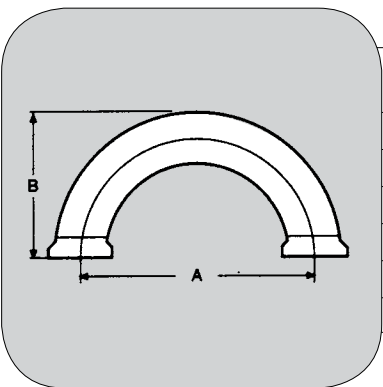
SIZE (TUBE O.D.)	A	B	R	STOCK NO.
1-1/2	3-1/16	7-1/2	2-1/4	32515
2	3-7/8	9	3	32520
2-1/2	5-7/8	11-3/4	3-3/4	32525
3	6-1/2	13	4-1/2	32530
4	8-5/8	17-1/4	5-1/4	32540

RETURN BENDS- 180° - WELD



SIZE (TUBE O.D.)	A	B	STOCK NO.
1	3	2	35910
1-1/2	4-1/2	3	35915
2	6	4	35920
2-1/2	7-1/2	5	35925
3	9	6	35930
4	12	8	35940

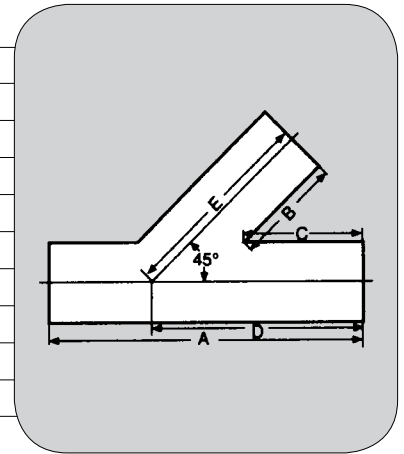
RETURN BENDS- 180° - CLAMP



SIZE (TUBE O.D.)	A	B	STOCK NO.
1	3	2-1/2	32910
1-1/2	4-1/2	3-1/2	32915
2	6	4-1/2	32920
2-1/2	7-1/2	5-1/2	32925
3	9	6-1/2	32930
4	12	8-5/8	32940

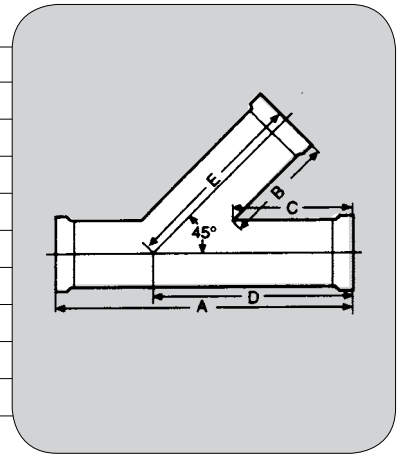
## LATERAL "Y" 45° - WELD

SIZE	A	B	C	D	E	STOCK NO.
1/2	3	1-23/32	1-1/4	1-3/4	2-5/8	351705
3/4	3	1-23/32	1-1/4	1-3/4	2-5/8	351707
1	4-1/2	1-3/4	1-1/4	2-7/16	2-15/16	351710
1-1/2	4-1/2	1-3/4	1-1/4	3-1/16	3-13/16	351715
2	5-5/8	2-5/8	1-7/8	4-5/16	5-1/16	351720
2-1/2	6-7/8	3-3/8	2-3/8	5-3/8	6-3/8	351725
3	8	4	2-13/16	6-13/32	7-19/32	351730
4	12	5-3/8	3-13/16	8-11/16	10-3/16	351740
6	21	10-11/32	7-1/4	14-1/2	17-19/32	351760



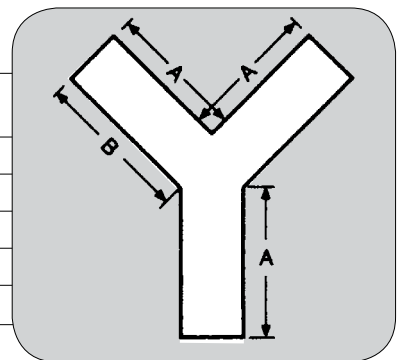
## LATERAL "Y" 45° - CLAMP

SIZE	A	B	C	D	E	STOCK NO.
1/2	4	2-7/32	1-3/4	2-1/4	3-1/8	321705
3/4	4	2-7/32	1-3/4	2-1/4	3-1/8	321707
1	5-1/2	2-1/4	1-3/4	2-15/16	3-7/16	321710
1-1/2	5-1/2	2-1/4	1-3/4	3-9/16	4-5/16	321715
2	6-5/8	3-1/8	2-3/8	4-13/16	5-9/16	321720
2-1/2	7-7/8	3-7/8	2-7/8	5-7/8	6-7/8	321725
3	9	4-1/2	3-5/16	6-29/32	8-3/32	321730
4	13-1/4	6	4-7/16	9-5/16	10-13/16	321740
6	22-1/2	11-3/32	8	15-1/4	18-11/32	321760



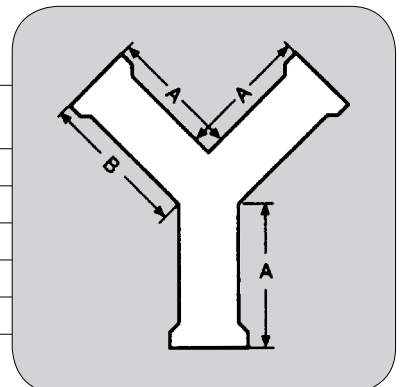
## TRUE "Y" 90° - WELD

SIZE (TUBE O.D.)	A	B	STOCK NO.
1-1/2	2	2-7/16	351815
2	2-5/8	3-1/4	351820
2-1/2	3-3/8	4-1/8	351825
3	4	4-7/8	351830
4	5-3/8	6-9/16	351840



## TRUE "Y" 90° - CLAMP

SIZE (TUBE O.D.)	A	B	STOCK NO.
1-1/2	2-1/2	2-15/16	321815
2	3-1/8	3-3/4	321820
2-1/2	3-7/8	4-5/8	321825
3	4-1/2	5-3/8	321830
4	6	7-3/16	321840



# TOP LINE

PROCESS EQUIPMENT COMPANY

... the source for  
all your product needs  
in the process industries

Contact your Top Line Representative for Assistance

Office: P.O. Box 264 · Bradford, PA 16701

Plant: 21 Valley Hunt Drive · Lewis Run, PA 16738

800-458-6095

814-362-4626

Fax: 814-362-4453

## PUMPS & STRAINERS- Centrifugal, Rotary Lobe, Filters and Strainers



## VALVES - Manual, Actuated, Diaphragm



## FITTINGS - Clamp, Sanitary Butt Weld, Bevel Seat, Tube OD Butt weld, Custom, Biopharm



## TUBING, GAUGES, SIGHT GLASSES, BRAIDED HOSE



[www.toplineonline.com](http://www.toplineonline.com)