



# Hygienic Pressure Gauges



Stainless Steel Flow Control Equipment for the  
Food, Beverage, Dairy, Cosmetics, Biotechnology,  
Pharmaceutical and Electronics Processing Industries

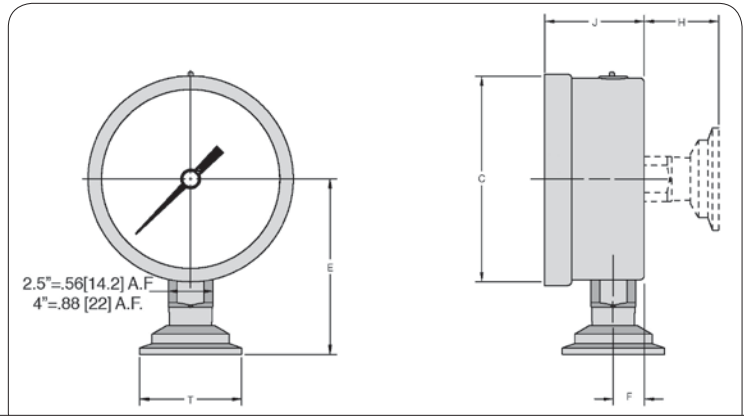
[www.toplineonline.com](http://www.toplineonline.com)



Get the free mobile app at  
<http://gettag.mobi>

# Top-Flo® Model SP Hygienic Pressure Gauge

Top-Flo® Hygienic Pressure Gauges have been specifically designed for applications in the food and dairy, pharmaceutical and biotechnical industries. These gauges meet 3A, USDA and FDA sanitary standards.



DIAL SIZE	TRI-CLAMP SIZE	C	E	F	H	J	T
2-1/2: (63)	1 1/2"	2.68 (68)	2.64 (67)	0.37 (9.5)	1.52 (38.5)	1.20 (30.5)	1.98 (50.5)
	2"	2.68 (68)	2.64 (67)	0.37 (9.5)	1.52 (38.5)	1.20 (30.5)	2.51 (64.0)
4" (100)	1 1/2"	4.18 (106.2)	3.35 (85)	0.46 (11.8)	1.52 (38.5)	1.32 (33.5)	1.98 (50.5)
	2"	4.18 (106.2)	3.35 (85)	0.46 (11.8)	1.52 (38.5)	1.32 (33.5)	2.51 (64.0)

## Ranges

PSI	BAR	MOUNT	DIAL FACE			
			2-1/2"		4"	
			1-1/2" CLAMP	2" CLAMP	1-1/2" CLAMP	2" CLAMP
30"HG/30	-1/2	BOTTOM BACK	4500 •	• •	• •	4566 •
0/30	0/2	BOTTOM BACK	4501 •	4533 •	4517 •	4549 4557
0/60	0/4	BOTTOM BACK	4502 •	4534 •	4518 •	4550 4558
0/100	0/7	BOTTOM BACK	4503 •	4535 •	4519 •	4551 4559
0/160	0/11	BOTTOM BACK	4504 •	4536 •	4520 •	4552 4560
0/200	0/14	BOTTOM BACK	4505 •	4537 •	4521 •	4553 4561
0/300	0/21	BOTTOM BACK	4506 •	• •	4522 •	4554 4562
0/400	0/28	BOTTOM BACK	4507 •	• •	4523 •	4555 4563
0/600	0/42	BOTTOM BACK	4508 •	• •	4524 •	4556 4564

Options available upon request:  
Other pressure ranges  
No fill (dry)



## SPECIFICATIONS

- Case: polished AISI 304 SS
- Ring: polished AISI 304 SS
- Dial sizes: 2-1/2" and 4"
- Process connection (T); polished AISI 316 SS with 1-1/2" and 2" clamp connections
- Diaphragm: polished AISI 316 SS
- Window: laminated safety glass
- Pointer: black anodized aluminum
- Case fill: glycerine
- Seal fill: oil for food service
- Process temperature: 150° max
- Accuracy: as a percentage of full scale.  
as per ASME B40.100 ± 1% (4" Dial)  
as per ASME B40.100 ± 1.6% (2 1/2" Dial)

**TOP LINE**  
PROCESS EQUIPMENT COMPANY

... the source for  
all your product needs  
in the process industries

Contact your Top Line Representative for Assistance  
Office: P.O. Box 264 · Bradford, PA 16701  
Plant: 21 Valley Hunt Drive · Lewis Run, PA 16738  
Phone: 800-458-6095  
814-362-4626  
Fax: 814-362-4453

[www.toplineonline.com](http://www.toplineonline.com)